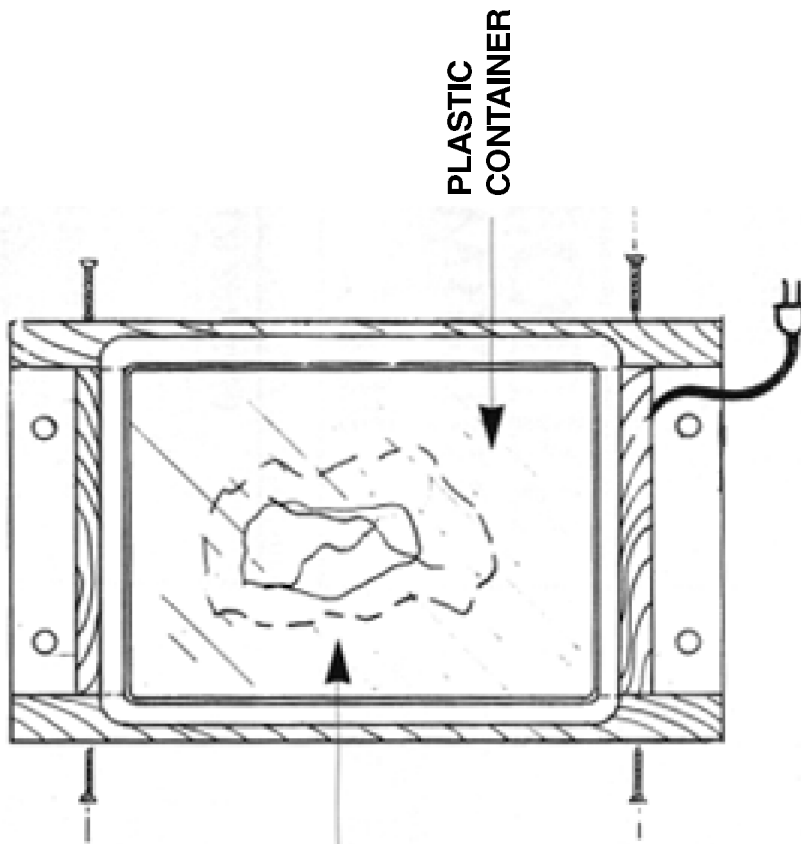


Illustration by Maria Sedgwick.

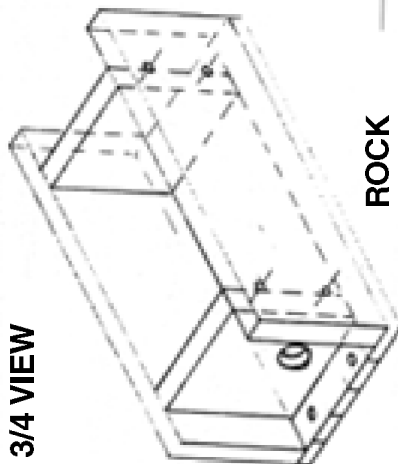
Wood:
2"x6" cedar (sides and ends)
1"x4" cedar planks (bottom)

Hardware:
2-1/2" screws (#8) for sides.
1-1/2" screws (#6) for bottom.

TOP VIEW



3/4 VIEW



ROCK

END VIEW

